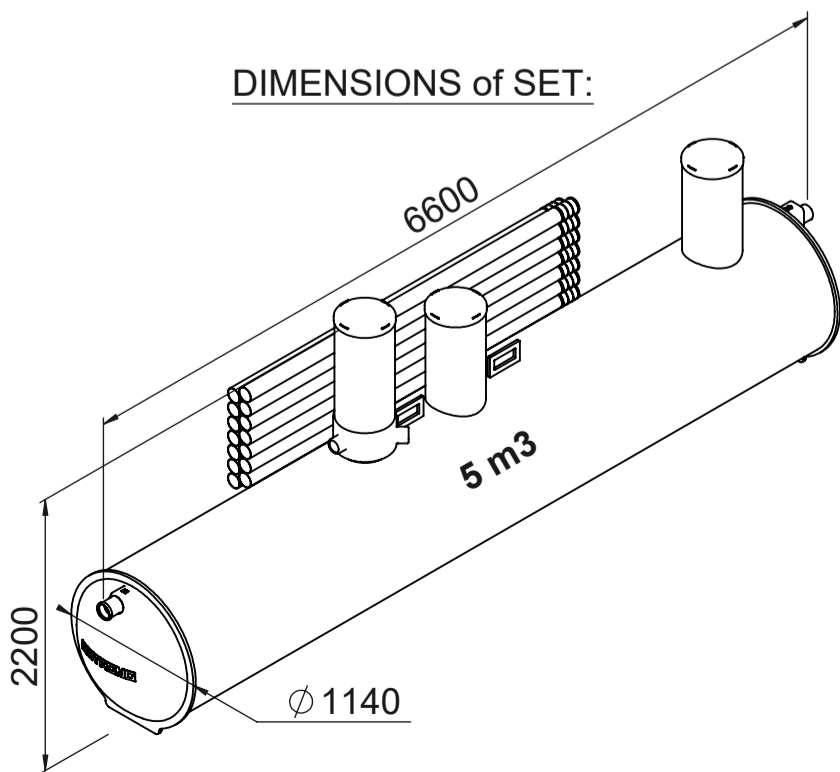


**DIMENSIONS of SET:**



EN 12566-1

Pos.	Description	Material	Size
1	Cover	PVC	Ø400
2	Service opening	PE100	OD400, SN4, L810
3	Tank cylinder, double wall	PE100	ID1000, SN2, L6000
4	Inlet coupling	PVC	Ø110
5	End cap	PE	ID1000
6	Distribution well	PE	Ø400
7	Distribution pipe	PP	Ø110, 3m, 2pcs
8	Flexible elbow pipe	PP	Ø110, 4pcs
9	Absorption pipe	PP	Ø110, 3m, 10pcs
10	Ventilation pipe	PP	Ø110, 1.5m, 2pcs
11	Ventilation nozzle	PVC	Ø110, 2pcs
	Filter cloth	-	1.2x15m, 2pcs

Drawn:	A.Käärid	<b>Septic ID1000 STRONG 5 m3</b>		
Approved:	J.Karolin			
www.iwsgroup.ee		Mass: kg	Product code:	Rev.
<b>Innovative Water Systems</b>		~370	501110	<b>2</b>